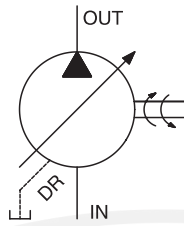


DR Series Variable Displacement Piston Pump



Feature :

1. Compact and light weight.
2. Quiet operation, even in high pressure range, with minimum vibration.
3. Aluminum casting body
4. Precision characteristics and prompt response.
5. Sturdy structure for high efficiency and long service lifetime.
6. More options of compensators than before .

Technical Data

MODEL No.	Displacement cc/rev.	Pressure Range	Shaft Speed		Maximum pressure	Weight
		kgf/cm ²	Max	Min	kgf/cm ²	kg
DR-16.	15.8	B: 12 to 70	1800	600	160	9.8
		C: 12 to 160				
DR-22	22.2	B: 12 to 70	1800	600	160	9.8
		C: 12 to 160				

Remark: Whenever setting pressure, please make sure the full cut-off pressure never exceeds the maximum intermittent pressure.

How To Order

DR16	-F	-R	-AO	-C	-S	-K	-10	-Y
Series Number	Mounting	Direction rotation	Compensator code	Pressure Range kgf/cm ² (Mpa)	In/out Port	Shaft Extension	Threading Code	Design No.
DR16 (15.8cm ³ /rev)	F: Flange Mounting	Viewed from Shaft End R:Clockwise (Standard) L: Counter Clockwise	AO: Standard compensator Other: refer to page 33	B:12~70 (1.2~7) C:12~20 (1.2~21)	*None: Axial Port S:Side Port	*K: Standard Key shaft G: Spline shaft 16/32 DP-13T T: Spline shaft 16/32 DP-9T	*10-PT(RC) 40-BSPP(G) 50-NPT	X *Y
DR22 (22.2cm ³ /rev)								

- A0: Standard Pressure Compensator
- HA: Load-Sensing Compensator
- GA: Remote controlled Pressure compensator
- GJ: Remote Pressure compensator with Proportional Pressure Control
- GR: Remote Pressure compensator with Electronic Unloading control
- GB: Remote Pressure compensator with Electronic 2 stage Pressure Control
- GC: Remote Pressure compensator with 2 stage Pressure + Electrical Unloading control
- GM: Remote Pressure Compensator with NG6 interface

Remark: For detail of compensator, please contact with us.

Handling:

1. Hydraulic Fluids: Petroleum base oil with anti-wear additives hydraulic oil, or R&O type hydraulic oils equivalent to ISO VG-32 or 46. The recommended viscosity range is from 20 to 400 mm²/S. Oil temperature range is within 0 to 60°C. Both of above have to be satisfied for the use of the above hydraulic oils.
2. Contamination: Please maintain the contamination degree within NAS 10 grade. We strongly suggest to use suction line filter of at least 100 μm.

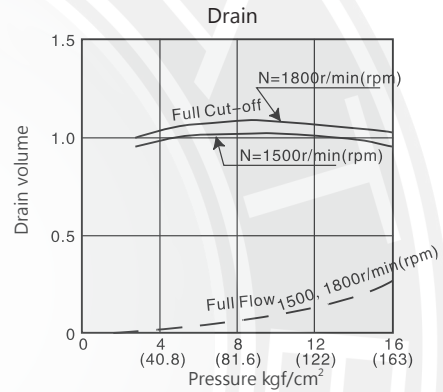
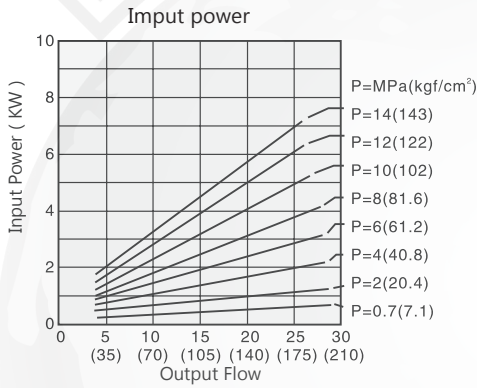
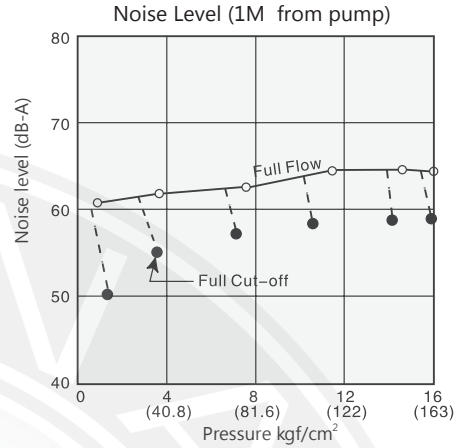
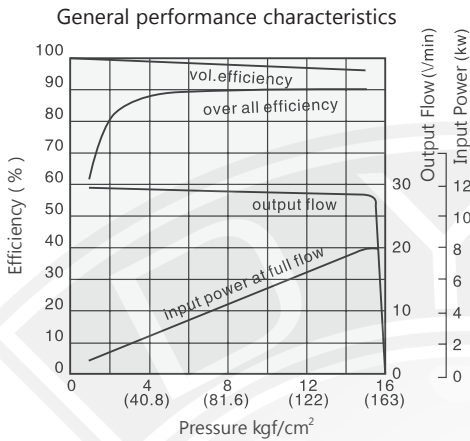


DR Series Variable Displacement Piston Pump

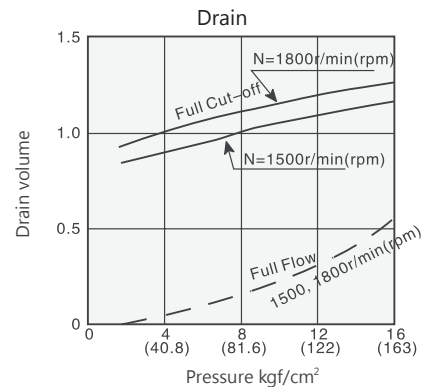
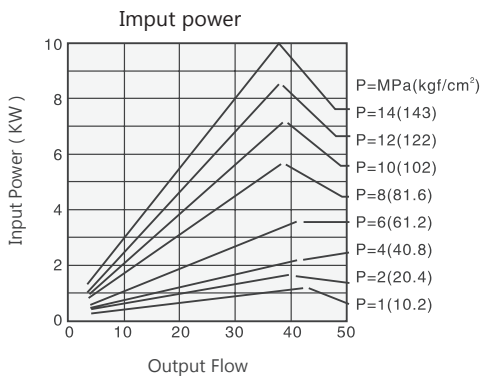
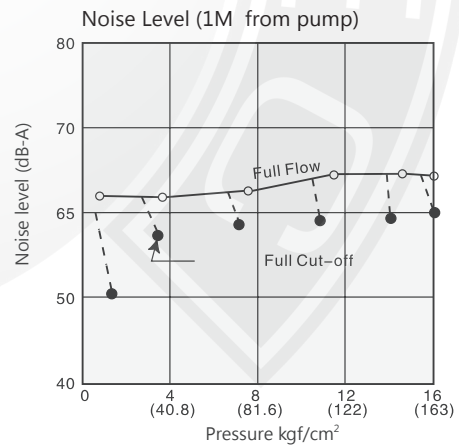
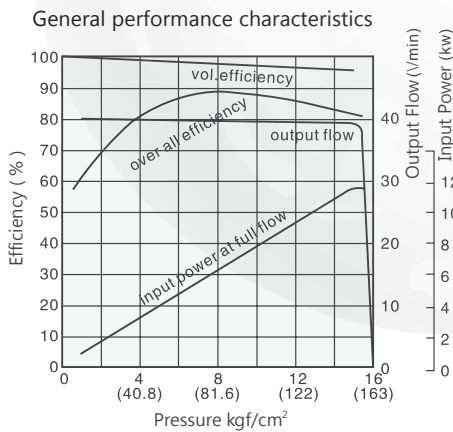
Performance Characteristics

Conditions: Input speed: 800r/min, Oil: ISO VG32, Oil temperature: 50° C

DR16:



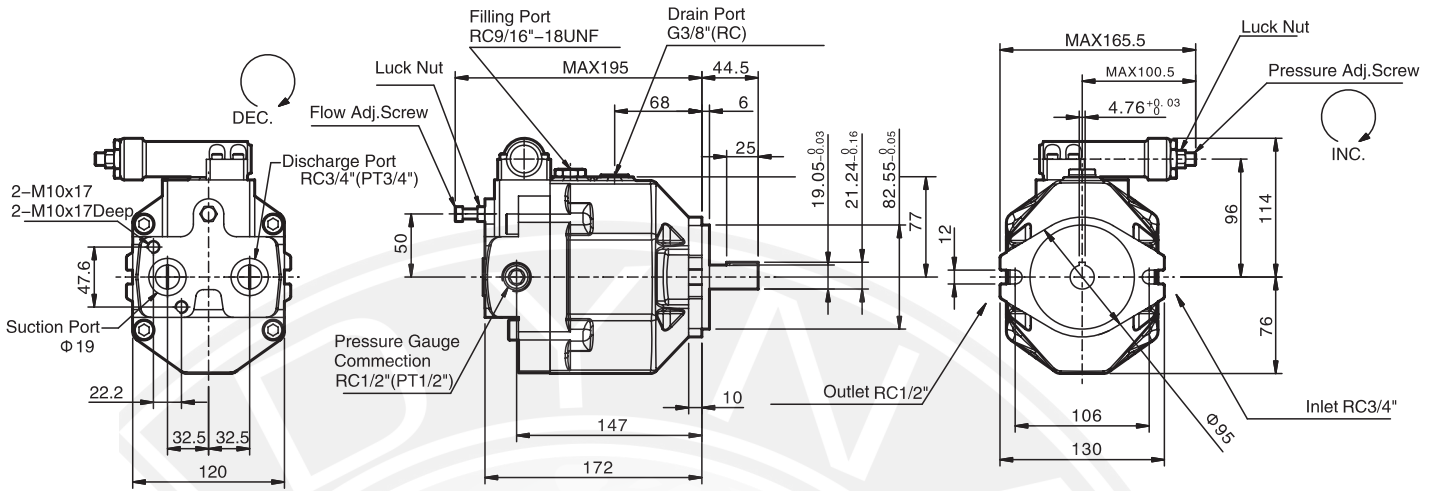
DR22:



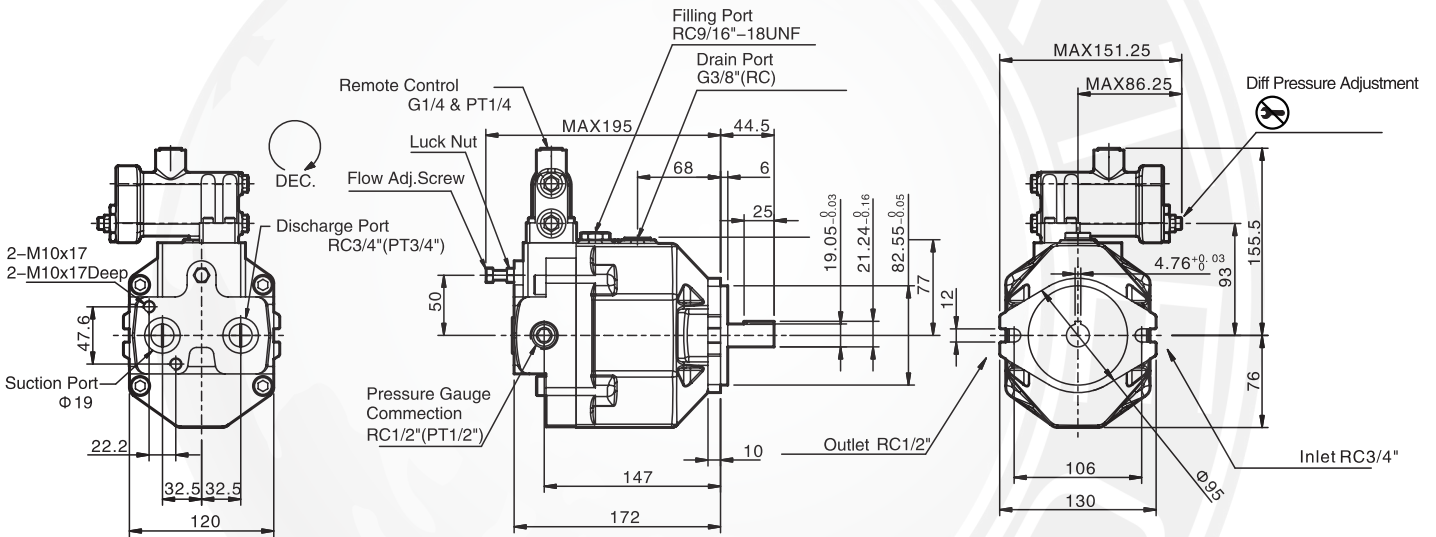


DR Series Variable Displacement Piston Pump

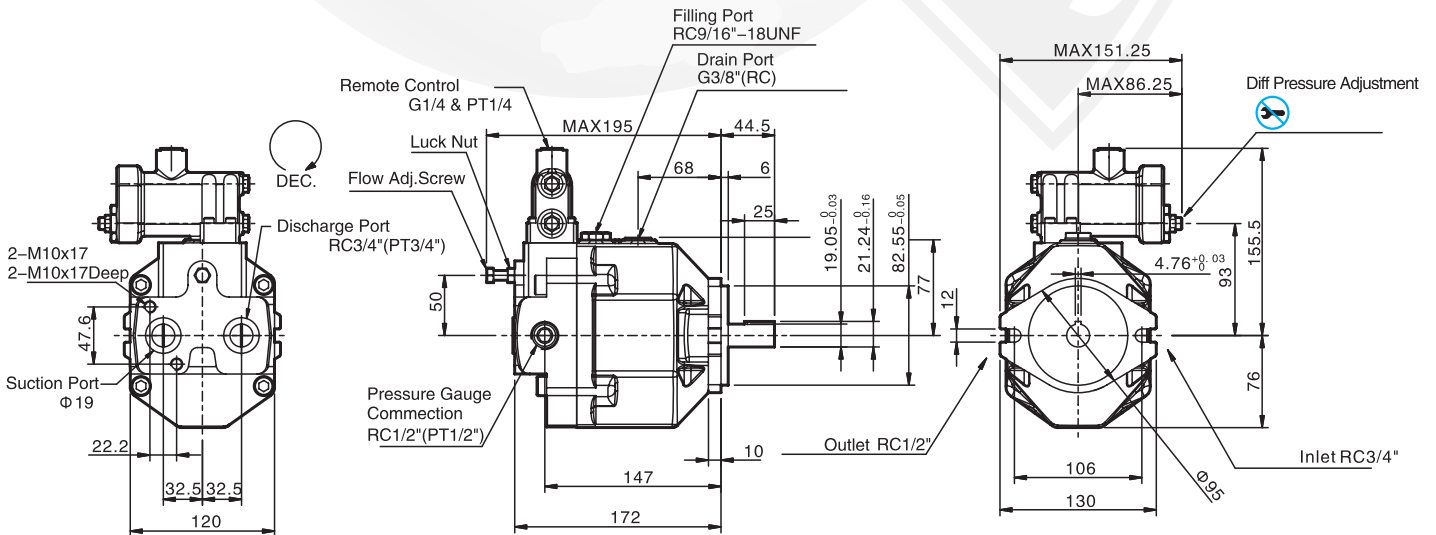
DR16/22 -A0



DR16/22 GA



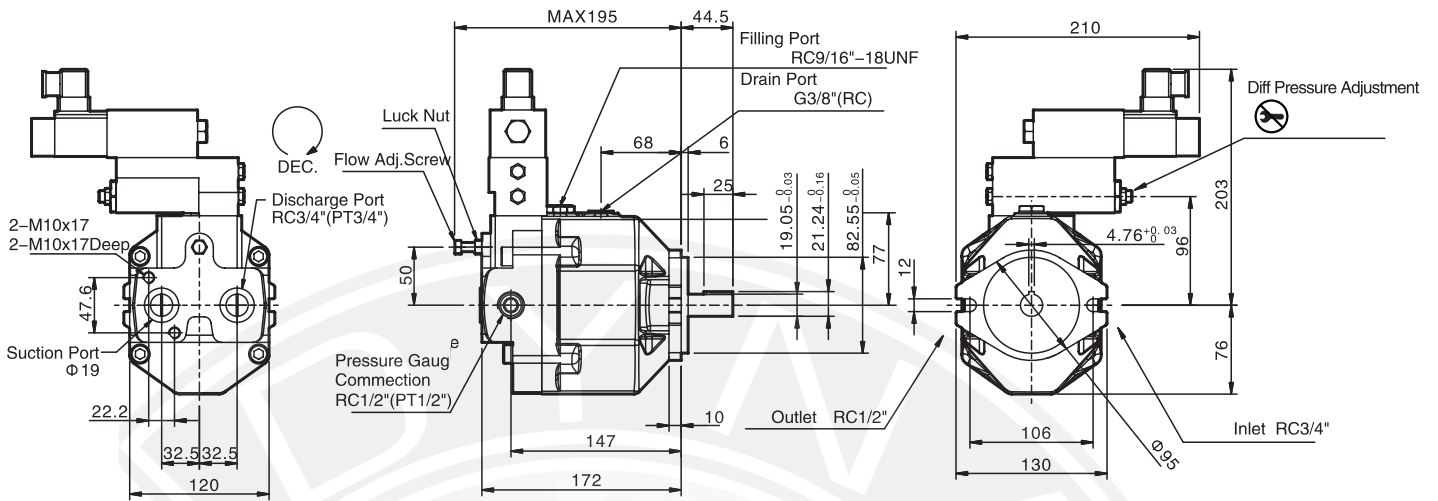
DR16/22 HA



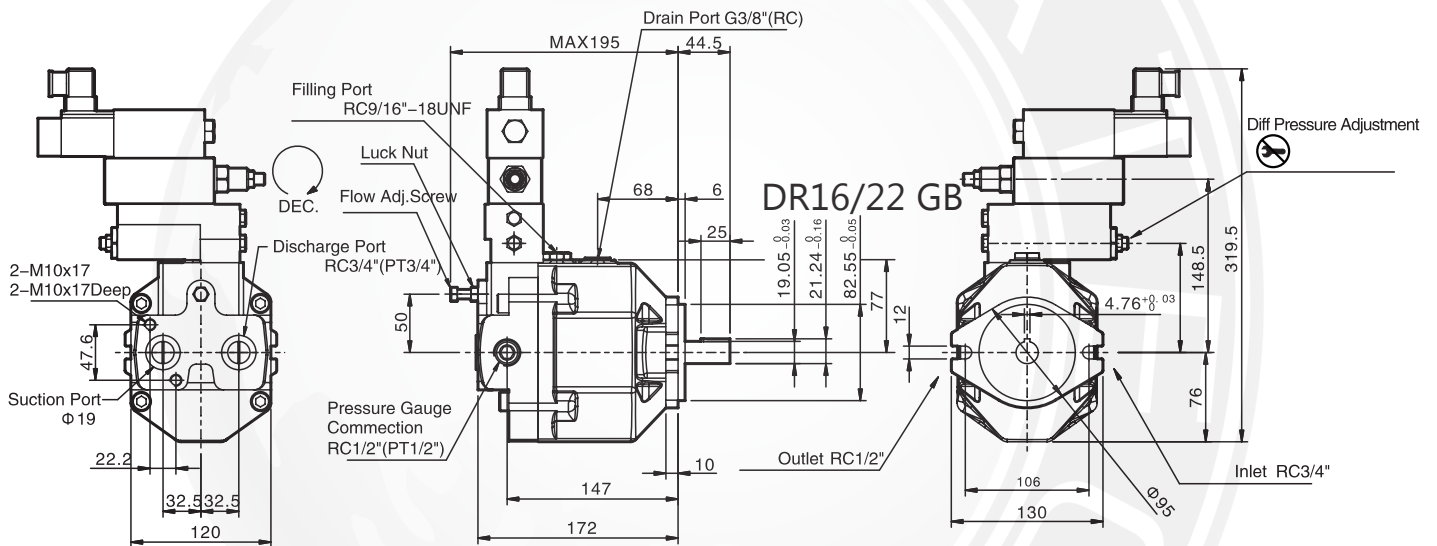


DR Series Variable Displacement Piston Pump

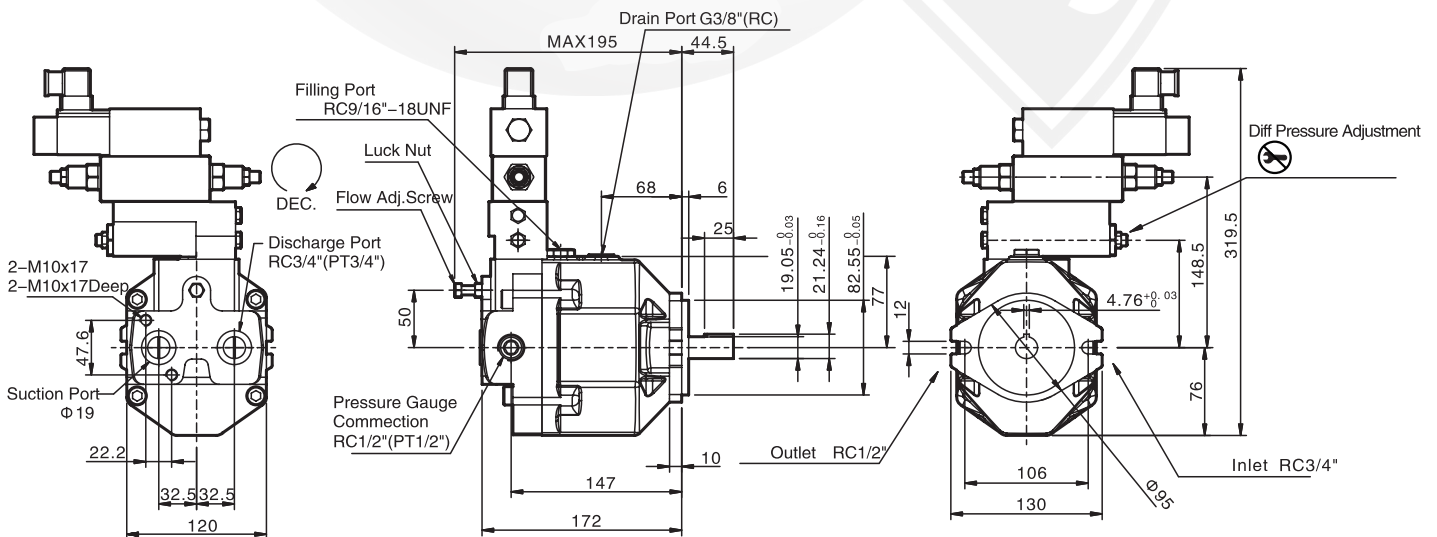
DR16/22 GJ



DR16/22 GR



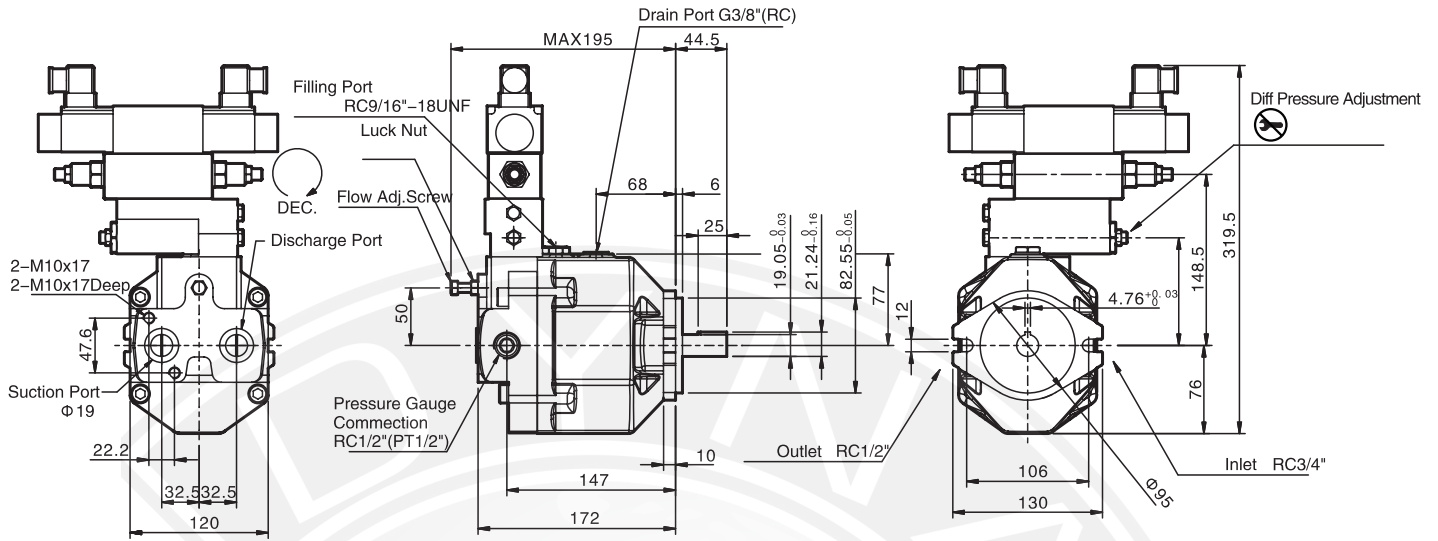
DR16/22 GB



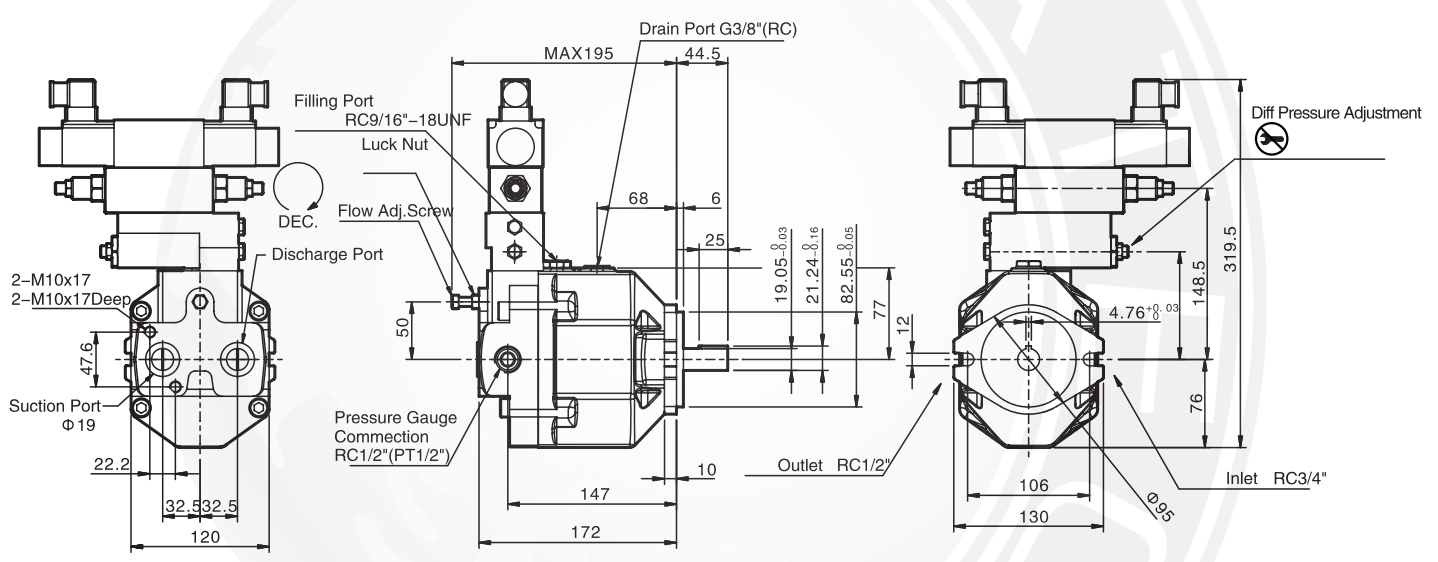


DR Series Variable Displacement Piston Pump

DR16/22 GC



DR16/22 GM



DR16/22 Splined Shaft dimensions:

